

Parts Manual

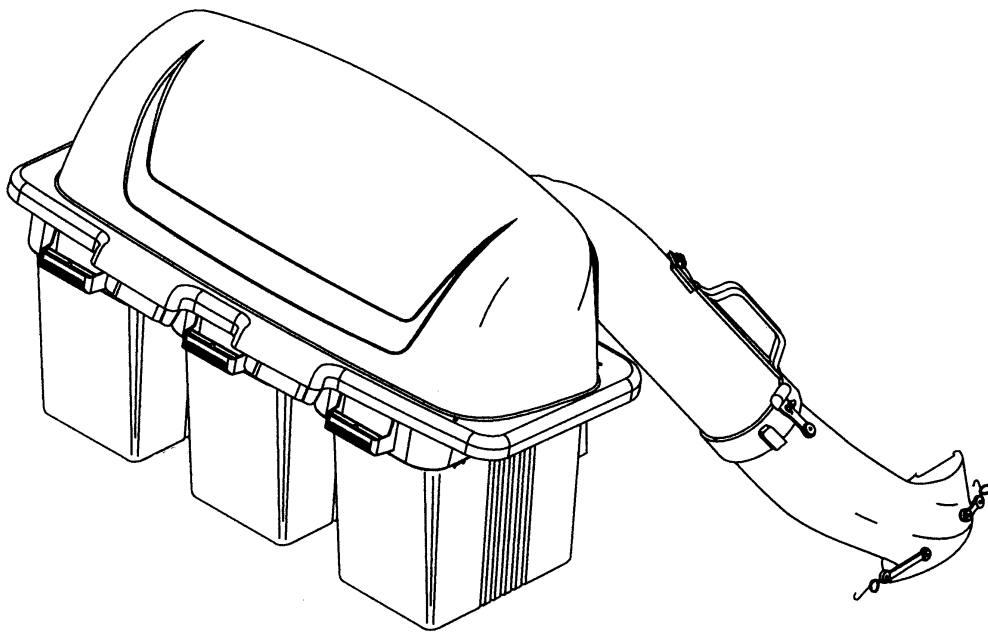
Grass Catcher

For

48 Inch and 54 Inch

EZ Models: EZ4820/968999293

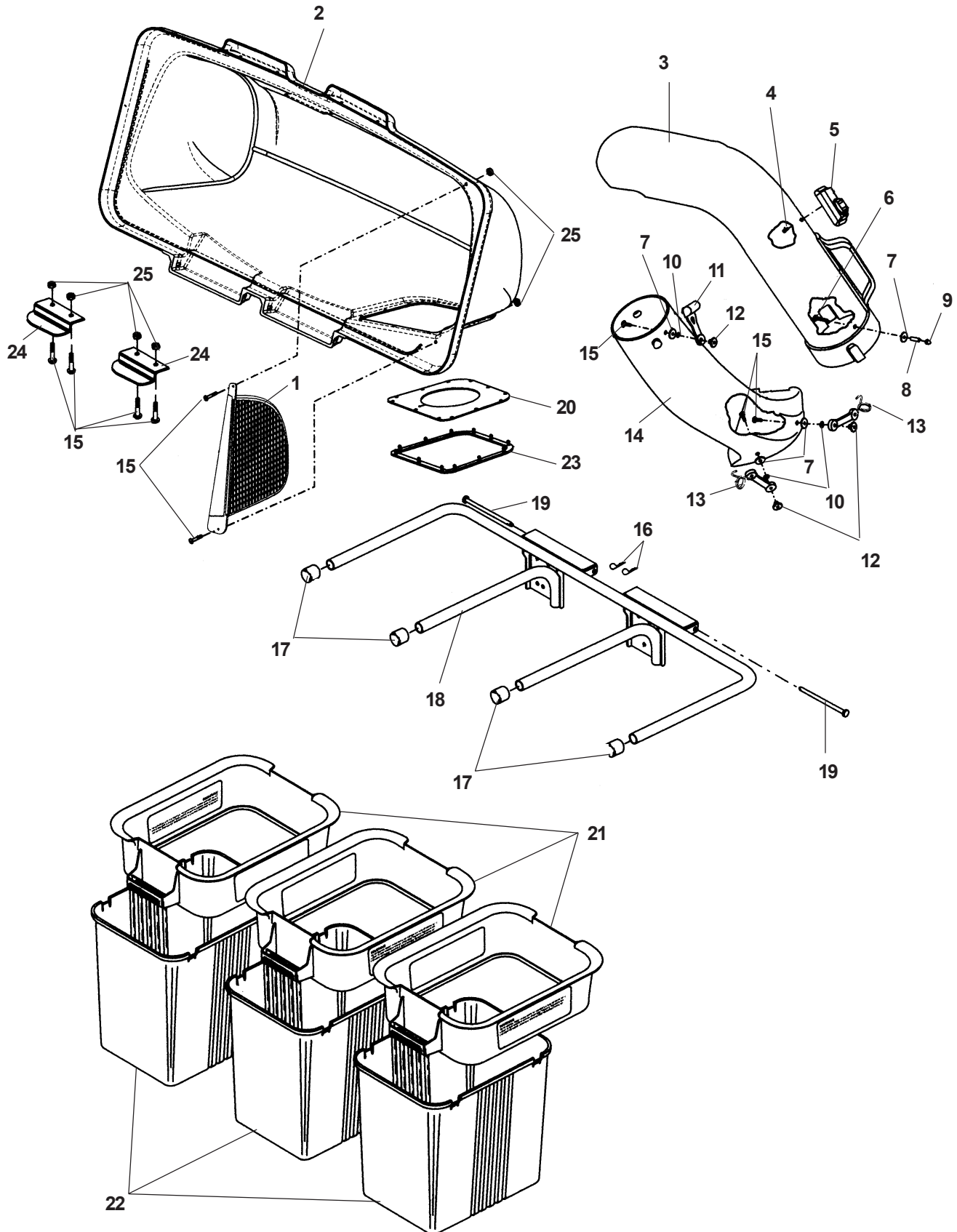
EZ5424/968999294



Models: 968999361 - 48"

968999362 - 54"

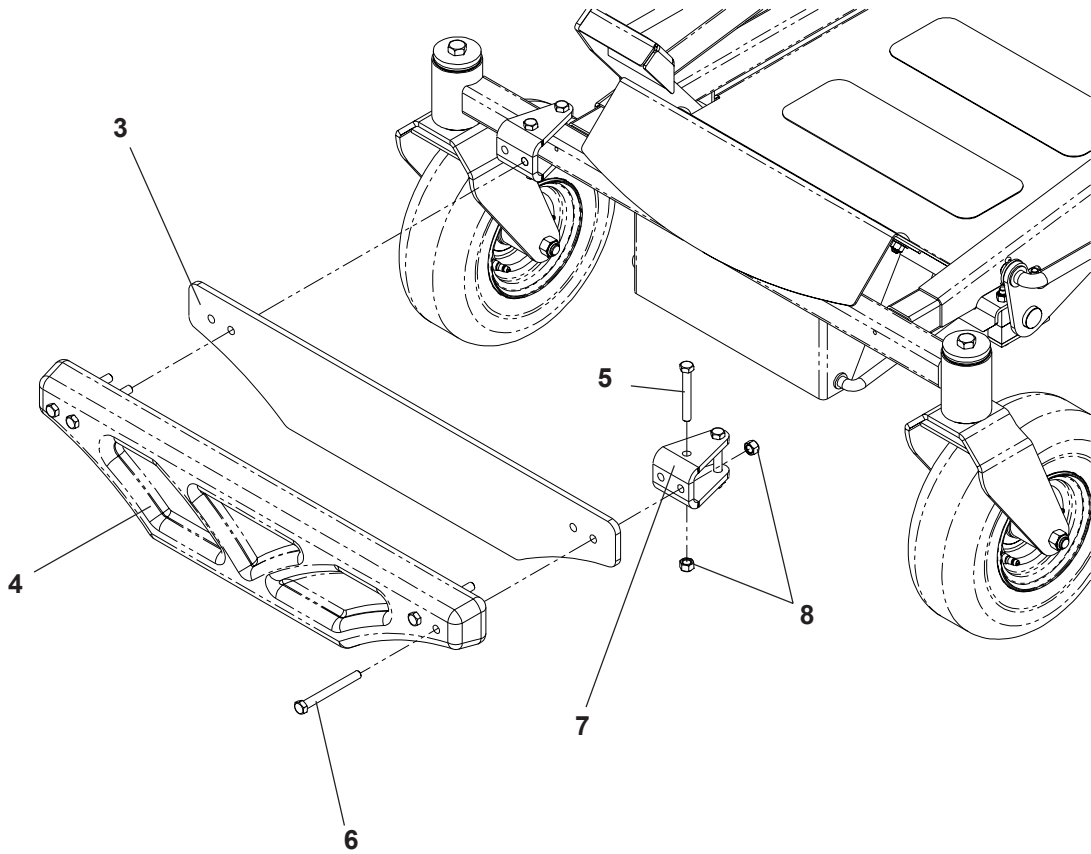
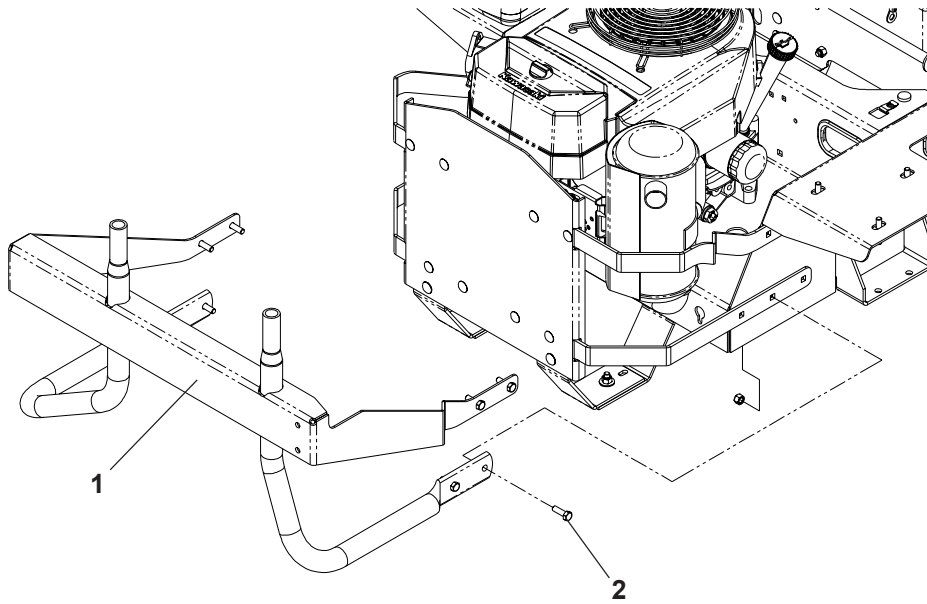
PARTS



PARTS

ITEM	PART NO.	QTY.	DESCRIPTION
1	(532) 192709	1	Screen, cover
2	(532) 195373	1	Cover
3	(539) 108141	1	Chute, upper
4	(539) 108081	1	Screw, #10-14 x 1/2, special
5	(539) 108082	1	Dump bag indicator
6	(539) 108083	1	Screw, #10-24 x 1 1/8
7	(539) 108084	4	Washer, 3/16 x 3/4 x 16 Ga.
8	(539) 108085	1	Spacer, split
9	(539) 108086	1	Nut, #10-24, acorn
10	(539) 109552	3	Lockwasher, 3/16
11	(539) 108088	1	Latch, chute
12	(539) 108089	3	Nut, weld
13	(539) 108194	2	Latch, assembly
14	(539) 108092	1	48" Chute, lower
	(539) 113204	1	54" Chute, lower
15	(539) 976952	9	Screw, #10-24 x 5/8
16	(539) 108096	2	Spring, retainer
17	(539) 108097	4	Plug, tubing end
18	(539) 108098	1	Bagger, frame
19	(532) 192786	2	Pin, hinge
20	(532) 192550	1	Gasket, cover
21	(539) 108101	3	Container, top
22	(539) 108102	3	Container, bottom
23	(532) 192603	1	Seal, cover
24	(532) 130895	2	Handle, bagger cover
25	(539) 976977	14	Nut, #10-24, crownlock
	(539) 108447	1	Decal, CE, (Not shown)
	(539) 108163	1	Decal, Catcher, (Not shown)

PARTS



PARTS



ITEM	PART NO.	QTY.	DESCRIPTION
1	(539) 112776	1	Catcher Hitch
2	(539) 990209	8	HCS, 5/16-18 x 1, Gr5
3	(539) 113232	2	Weight Plate
4	(539) 111587	1	Cast Weight
5	(539) 102612	4	HCS, 3/8-16 x 2 3/4, Gr5
6	(539) 108271	4	HCS, 3/8-16 x 3 1/2, Gr5
7	(539) 113203	2	Weight Bracket
8	(539) 976979	8	Nut, 3/8-16, Nyloc

TORQUE SPECIFICATIONS

HEX HEAD CAP SCREWS




The torque values shown should be used as a general guideline when specific torque values are not given.

U.S. Standard Hardware

	Grade	SAE grade 5 		SAE grade 8 		Flangelock Screw w/ Flangelock Nut	
		ft./lbs	Nm	ft./lbs	Nm	ft./lbs	Nm
Shank Size (Diameter in inches, fine or coarse thread)	1/4	9	12	13	18		
	5/16	18	24	28	38	24	33
	3/8	31	42	46	62	40	54
	7/16	50	68	75	108		
	1/2	75	102	115	156		
	9/16	110	150	165	224		
	5/8	150	203	225	305		
	3/4	250	339	370	502		
	7/8	378	513	591	801		
	1	583	790	893	1211		
	1 1/8	782	1060	1410	1912		

** Grade 5 - Minimum commercial quality (Lower quality not recommended)

Metric Standard Hardware

	Grade	Grade 8.8 		Grade 10.9 		Grade 12.9 	
		ft./lbs	Nm	ft./lbs	Nm	ft./lbs	Nm
Shank Size (Diameter in millimeters, fine or coarse thread)	M4	1.5	2	2.2	3	2.7	3.6
	M5	3	4	4.5	6	5.2	7
	M6	5.2	7	7.5	10	8.2	11
	M7	8.2	11	12	16	15	20
	M8	13.5	18	18.8	25	21.8	29
	M10	24	32	35.2	47	43.5	58
	M12	43.5	58	62.2	83	75	100
	M14	70.5	94	100	133	119	159
	M16	108	144	147	196	176	235
	M18	142	190	202	269	242	323
	M20	195	260	275	366	330	440
	M22	276	368	390	520	471	628
	M24	353	470	498	664	596	794
	M27	530	707	474	996	904	1205